

WeChat  
SJZ-CAPT



WebSite  
www.chssb.com

Web: [www.chssb.com](http://www.chssb.com)  
Tel: +86-311-68018088  
Email: [chssbiec@chssb.com](mailto:chssbiec@chssb.com)  
Add: No.1 Guoxing Street, Gaocheng New District, Shijiazhuang, Hebei, 052160, P.R. China



Get VIP Prices



SHIJIAZHUANG CAPT POWER TRANSMISSION CO., LTD.

# COMPANY PROFILE



Shijiazhuang CAPT Power Transmission Co., Ltd. is a comprehensive manufacturer specializing in precision mechanical power transmission products, integrating research and development, production, and sales.

For 40 years, the CAPT has been committed to delivering high-quality, high-precision, and efficient products to customers worldwide.

Today, the "CAPT" brand is widely recognized in both domestic and international markets as a trusted name in premium mechanical power transmission solutions.



# CORPORATE CULTURE

见贤思齐



## CORPORATE MISSION:

Develop new technology  
Manufacture high-end products  
Serve the global industry

## CORPORATE SPIRIT:

Study | Practice  
Progress | Innovation

## BUSINESS PHILOSOPHY:

Focus on customer needs and lead progress  
Better quality builds the CAPT brand  
Sincere service drives CAPT values

## CORE VALUES:

Virtue drives trust

## CORPORATE STYLE:

Continuous growth  
Emphasizing solidarity  
Utilizing science  
Strive for efficiency

## ACTION PRINCIPLES:

Rapid response,  
Superior ingenuity

## TALENT STRATEGY:

Respect morality  
Encourage kindness

## QUALITY VIEW:

World-class quality,  
Exceptional engineering



# CAPT-DHT™

## Double Helical Teeth (DHT) Timing Pulley High-precision Transmission, Quieter, more Stable, more Energy-efficient, and longer Service Life



**8M-14M**  
**Full Range of Products**

### Advantages of Double Helical Teeth (DHT) Timing Pulleys:

- **20% Noise Reduction:** Engineered for near-silent operation and a superior working environment.
- **Axial Force Elimination:** Herringbone tooth geometry cancels lateral thrust for ultra-stable power transmission. High load capacity and shear resistance for greatly extended service life.
- **Self-Aligning & Flange-Free:** Automatic centering enables a compact, space-saving design and simplified installation.
- **High Load & Shear Resistance:** Robust construction significantly extends service life under heavy industrial stress.
- **Low Friction & Low Energy Loss:** Optimized for continuous, high-efficiency operation with reduced power consumption.
- **Anti-Static & Anti-Oxidation:** Built for safety, reliability, and long-term durability in challenging environments.



### Key Advantages of Taper Bore (TB) Installation:

- **Single-Tool Installation:** Rapid setup with just one hex wrench—no specialized equipment required.
- **Modular Maintenance:** Replace only the bushing instead of the entire component to slash repair costs and downtime.
- **Built-in Overload Protection:** Designed to provide a degree of slip under extreme stress, shielding your equipment from catastrophic failure.
- **Precision Tapered Locking:** High-concentricity fit ensures vibration-free stability during high-speed operation.
- **Universal Compatibility:** A comprehensive range of specifications to fit virtually any industrial application.
- **Enhanced System Longevity:** Protects shafts and critical drive components to extend the total service life of your machinery.

# CAPT-DHT™

## Double Helical Teeth (DHT) Timing Pulley

The Double Helical Teeth (DHT) Timing Pulley can be used with BTL bushings or in combination with keyless locks, featuring flexible assembly, high connection rigidity, and convenient assembly and disassembly, which perfectly meets the diverse installation and application requirements of industrial transmission systems.

**NEW**



### Advantages of Keyless Locking Assemblies:

- **Simplified Installation & Removal:** No heating or press-fitting required—achieve a perfect fit in a single step.
- **Reduced Machining Costs:** Relaxes shaft and hub tolerance requirements, significantly lowering production expenses.
- **Backlash-Free Keyless Connection:** Eliminates keyway stress concentration for stable transmission and a longer service life.
- **Flexible Positioning & Overload Protection:** Allows for easy axial and angular adjustment while providing a friction-based safety slip during overloads.
- **Extreme Temperature Resilience:** Engineered to perform reliably across a wide range of environmental conditions.
- **Precision Power Transmission:** High-efficiency, maintenance-free coupling for maximum operational "peace of mind."

**Upgraded Product**



### Advantages of Adopting CAPT-BTL Steel Taper Bushings:

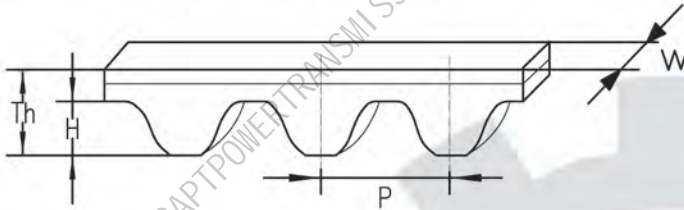
- **Universal Standardization:** Wide compatibility and economical pricing for low-cost, high-efficiency implementation.
- **High Concentricity:** Stable power transmission with a secure fit that prevents keyway distortion or "key rolling."
- **High-Strength Steel Construction:** Engineered for heavy-duty loads and superior impact resistance compared to cast iron.
- **Precision Tapered Locking:** Ensures high-accuracy alignment for smooth, high-efficiency operation.
- **Streamlined Maintenance:** Quick installation and removal; simple component replacement without damaging the shaft or hub.
- **Exceptional Value & Longevity:** A long-lasting, eco-friendly solution that maximizes energy efficiency and service life.

**Full-Range C45 Steel TB Taper Bushings A1008-A5050 A6050-A120100**

# CAPT-DHT™

## Double Helical Teeth (DHT) Timing Pulley

Timing pulley and belt compatibility and parameters are listed below:



Timing Belt Cross-section

Timing Pulley Parameters				
Pulley Specification	Matching DHT Belt Specification	Pitch (P) mm	Tooth Width mm	Teeth Range (Z)
8M16	Y (Yellow)	8	17	18 ~ 224
8M32	W (White)	8	33	18 ~ 224
8M64	P (Purple)	8	65	18 ~ 224
14M35	B (Blue)	14	37	28 ~ 168
14M53	G (Green)	14	54.5	28 ~ 168
14M70	O (Orange)	14	72	28 ~ 168
14M105	R (Red)	14	107	28 ~ 168

### Recommended matching double helical teeth belt size chart



CAPT's Pulley Specification	Parameters of DHT Belts (mm)			
	Pitch (P)	Width (W)	Thickness (Th)	Tooth Height (H)
8M16	8	16	5.33	3.05
8M32	8	32	5.33	3.05
8M64	8	64	5.33	3.05
14M35	14	35	8.64	5.33
14M53	14	52.5	8.64	5.33
14M70	14	70	8.64	5.33
14M105	14	105	8.64	5.33

# CAPT-BTL™ C45 Taper Bushing



**High strength, High precision,  
High cost effectiveness, Safe and  
reliable, Environmentally friendly,  
Energy conservation and consumption  
reduction**

## BTL TAPER BUSHING INSTALLATION INSTRUCTIONS

### TO ASSEMBLE

1. Clean and degrease the bore and taper surfaces of the bush and the tapered bore of the pulley. Insert the bush into the pulley hub and line up holes (half thread holes must line up with half unloading holes)
2. Lightly oil the grub screws (bush size 1008 to 3030) or the cap screws (bush size 3535 to 5050) and screw them in, not tighten yet.
3. Clean and degrease the shaft. Fit pulley with taper bush on shaft and locate in desired position.
4. When using a key it should firstly be fitted in the shaft Keyway. There should be a top clearance between the key and the keyway in the bore.
5. Using a hexagon socket wrench gradually tighten the grub or cap screws in accordance with the torques as listed in the schedule of screw tightening torques.
6. When the drive has been operating under load for a short period (half to one hour) check and ensure that the screws remain at the appropriate tightening torque.
7. In order to eliminate the ingress of dirt, fill all empty holes with grease.

BUSH	SCREW TIGHTENING TORQUES(Nm)	SCREW	
		QUANTITY	SIZE
1008 1108	5.6	2	1/4" BSW
1210 1215	20	2	3/8" BSW
1310 1315	20	2	3/8" BSW
1610 1615	20	2	3/8" BSW
2012	31	2	7/16" BSW
2517	48	2	1/2" BSW
3020 3030	90	2	5/8" BSW
3535	112	3	1/2" BSW
4040	170	3	5/8" BSW
4545	192	3	3/4" BSW
5050	271	3	7/8" BSW

The BTL taper bushings are registered patent products. Any production and sale should be authorised and permitted.

### Special Note

BTL bushings are made of C45.  
We can also offer other materials according to customers' requirements.

We can do surface coating according to the customers' requirements. \*(such as black phosphating, black oxidizing, zinc plating, nickel plating and so on)

Each part is individually boxed.

BTL bushings are inserted with high quality grade 12.9 screws.

# CAPT-BTL™

## C45 Taper Bushing

### Allowable Torque (Nm) Data of BTL Bushings 1008-5050

Taper Bushing Specification	Allowable Torque(Nm)
1008	80-101
1108	116-180
1210	196-322
1215	196-322
1310	386-470
1610	255-393
1615	255-393
2012	414-568
2517	650-1090
2525	694-1090
3020	1675-1925
3030	1725-1925
3535	2760-4080
4040	4132-4980
4545	9750-12500
5050	20800-23000

Fundamental Equations for Allowable Torque and Power Transmission:

T: Torque (Nm)  
 P: Power (kW)  
 n: Rotational Speed (rpm)

$$T = \frac{P \times 9550}{n}$$

Power Calculation:

$$\text{Power (kW)} = \frac{\text{Torque} \times \text{Rotational Speed}}{9550}$$

Torque Calculation:

$$\text{Torque (Nm)} = \frac{\text{Power} \times 9550}{\text{Rotational Speed}}$$

Horsepower Calculation:

$$1 \text{ Horsepower (Ps)} = 0.7355 \text{ Power (kW)}$$

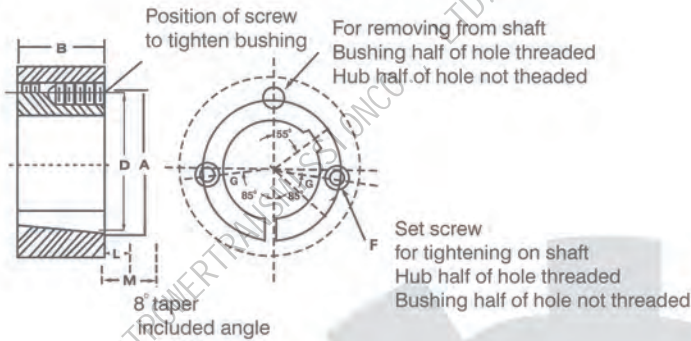


CAPT BTL steel bushing torque ratings (Nm) scale with the bore diameter. Detailed allowable torque values can be found in the national standard GB/T 32220-2015.

# CAPT-BTL™

## C45 Taper Bushing

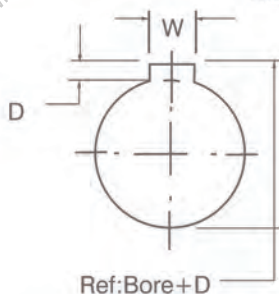
**A1008-A120100**  
**Full series C45**  
**steel**



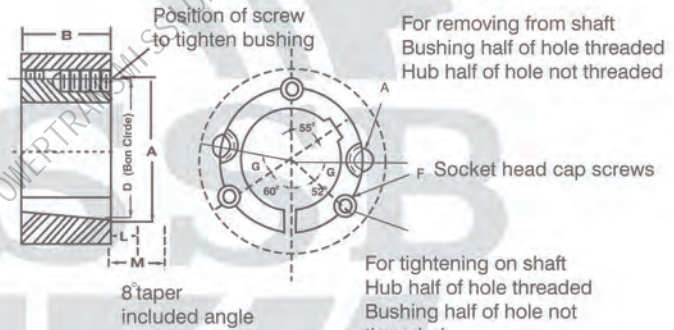
**Dimensions for 1008 thru 3030 BTL Taper Bushings**

BUSH	A	B	D	Set Screws
1008	1.386	7/8	1 21/64	1/4x1/2
1108	1.511	7/8	1 29/64	1/4x1/2
1210	1 7/8	1	1 3/4	3/8x5/8
1215	1 7/8	1 1/2	1 3/4	3/8x5/8
1310	2	1	1 7/8	3/8x5/8
1610	2 1/4	1	2 1/8	3/8x5/8
1615	2 1/4	1 1/2	2 1/8	3/8x5/8
2012	2 3/4	1 1/4	2 5/8	7/16x7/8
2517	3 3/8	1 3/4	3 1/4	1/2x1
2525	3 3/8	2 1/2	3 1/4	1/2x1
3020	4 1/4	2	4	5/8x1 1/4
3030	4 1/4	3	4	5/8x1 1/4

Two screws required



MM Bore keyway dimensions conform to ISO standard  
Depth measured at centerline



**Dimensions for 3535 thru 5050 BTL Taper Bushings**

BUSH	A	B	D	Set Screws	G
3535	5	3 1/2	4.83	1/2x1 1/2	40°
3525	5	2 1/2	4.83		
4040	5 3/4	4	5.54	5/8x1 3/4	40°
4030	5 3/4	3	5.54		
4545	6 3/8	4 1/2	6.13	3/4x2	40°
4535	6 3/8	3 1/2	6.13		
5050	7	5	6.72	7/8x2 1/4	37°
5040	7	4	6.72		

Three screws required



# CAPT-BTL™

# C45 Taper Bushing KEYWAY

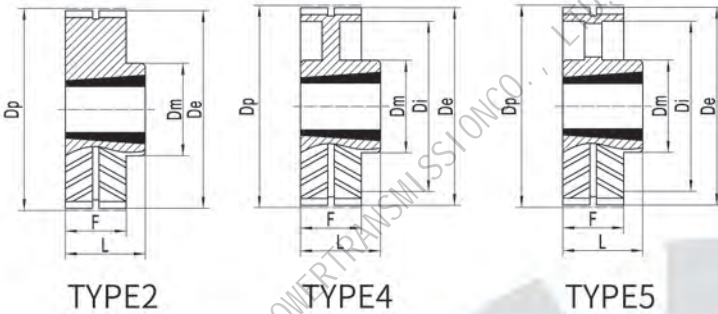
DIN 6885  
JIS B 1301-1996  
GB/T 1095-2003

## METRIC DIMENSIONS KEYWAY STANDARD (SERIES A)

Bush	Bore	Bushing Keyway	Bush	Bore	Bushing Keyway	Bush	Bore	Bushing Keyway	Bush	Bore	Bushing Keyway	Bush	Bore	Bushing Keyway	Bush	Bore	Bushing Keyway								
1008	10	3x1.40	1610	14	5x2.30	2517	20	6x2.80	3020	25	8x3.30	3535	35	10x3.30	4545	55	16x4.30								
	11	4x1.80		16	6x2.80		22	8x3.30		28	10x3.30		38	12x3.30		50	16x4.30	60	18x4.40						
	12			18			24			30			32			40		45		70	20x4.90	85	25x5.40		
	14	5x2.30		19	6x2.80		25	8x3.30		28	8x3.30		35	10x3.30		38	10x3.30	42	12x3.30	45	12x3.30	50	16x4.30	60	18x4.40
	16			20			28			30			35			38		42		45		55	16x4.30	60	18x4.40
	18			22			30			32			38			40		42		45		55	16x4.30	60	18x4.40
	19	6x2.80		24	8x3.30		32	10x3.30		32	10x3.30		38	10x3.30		40	12x3.30	42	12x3.30	45	12x3.30	50	16x4.30	60	18x4.40
	20			25			35			35			38			40		42		45		55	16x4.30	60	18x4.40
	22			28			38			38			40			42		45		45		55	16x4.30	60	18x4.40
	24	8x2.00		30	10x3.30		40	12x3.30		40	12x3.30		42	12x3.30		42	12x3.30	45	12x3.30	45	12x3.30	50	16x4.30	60	18x4.40
	25	8x1.30		32	10x3.30		42	12x2.20		42	12x3.30		42	12x3.30		45	14x3.80	45	14x3.80	45	14x3.80	50	16x4.30	60	18x4.40
	1180	11		3x1.40	1610		14	5x2.30		2517	20		6x2.80	3020		25	8x3.30	3535	35	10x3.30	4545	55	16x4.30		
	12	4x1.80		16	5x2.30		22	8x3.30		28	10x3.30		38	12x3.30		50	16x4.30								
	14	5x2.30		18	6x2.80		24	8x3.30		30	10x3.30		40	12x3.30		55	16x4.30								
	16			19	6x2.80		25	8x3.30		32	10x3.30		42	12x3.30		60	18x4.40								
	18			20	6x2.80		28	8x3.30		35	10x3.30		45	12x3.30		65	18x4.40								
	19	6x2.80		22			30			38			45			70	20x4.90	85	22x5.40						
	20			24	8x3.30		32	10x3.30		40	12x3.30		45	12x3.30		75	20x4.90	90	25x5.40						
	22			25	8x3.30		35	10x3.30		42	12x3.30		45	12x3.30		80	22x5.40	95							
	24	8x3.30		28	8x3.30		38	10x3.30		45	14x3.80		45	14x3.80		85	22x5.40								
	25			30	10x3.30		40	12x3.30		48	14x3.80		48	14x3.80		90	25x5.40								
	28			40	12x3.30		42	12x2.20		50	16x4.30		50	16x4.30		95	25x5.40								
	30			42	12x2.20		45	14x3.80		55	16x4.30		55	16x4.30		100	28x6.40								
	32	10x3.30		45	14x3.80		50	16x4.30		60	18x4.40		60	18x4.40		105	28x6.40								
	1210	11	4x1.80	1615	14	5x2.30	2517	20	6x2.80	3020	25	8x3.30	3535	35	10x3.30	4545	55	16x4.30							
	12	4x1.80		16	5x2.30		22	8x3.30		28	10x3.30		38	12x3.30		50	16x4.30	60	18x4.40						
	14	5x2.30		18	6x2.80		24	8x3.30		30	10x3.30		40	12x3.30		55	16x4.30	65	18x4.40						
	16			19	6x2.80		25	8x3.30		32	10x3.30		42	12x3.30		60	18x4.40	70	20x4.90						
	18			20	6x2.80		28	8x3.30		35	10x3.30		45	12x3.30		65	18x4.40	75	20x4.90						
	19	6x2.80		22			30			38			45			70	20x4.90	80	22x5.40						
	20			24	8x3.30		32	10x3.30		40	12x3.30		45	12x3.30		75	20x4.90	85	22x5.40						
	22			25	8x3.30		35	10x3.30		42	12x3.30		45	12x3.30		80	22x5.40	90	25x5.40						
	24			28	8x3.30		38	10x3.30		45	14x3.80		45	14x3.80		85	22x5.40	95	25x5.40						
	25			30	10x3.30		40	12x3.30		48	14x3.80		48	14x3.80		90	25x5.40	100	28x6.40						
	28			40	12x3.30		42	12x2.20		50	16x4.30		50	16x4.30		95	25x5.40	105	28x6.40						
	30			42	12x2.20		45	14x3.80		55	16x4.30		55	16x4.30		100	28x6.40	110	32x7.40						
	32	10x3.30		45	14x3.80		50	16x4.30		60	18x4.40		60	18x4.40		105	28x6.40	115							
	1215	11	4x1.80	1615	14	5x2.30	2525	20	6x2.80	3030	25	8x3.30	4040	35	10x3.30	5050	55	16x4.30							
	12	4x1.80		16	5x2.30		22	8x3.30		28	10x3.30		38	12x3.30		50	16x4.30	60	18x4.40						
	14	5x2.30		18	6x2.80		24	8x3.30		30	10x3.30		40	12x3.30		55	16x4.30	65	18x4.40						
	16			19	6x2.80		25	8x3.30		32	10x3.30		42	12x3.30		60	18x4.40	70	20x4.90						
	18			20	6x2.80		28	8x3.30		35	10x3.30		45	12x3.30		65	18x4.40	75	20x4.90						
	19	6x2.80		22			30			38			45			70	20x4.90	80	22x5.40						
	20			24	8x3.30		32	10x3.30		40	12x3.30		45	12x3.30		75	20x4.90	85	22x5.40						
	22			25	8x3.30		35	10x3.30		42	12x3.30		45	12x3.30		80	22x5.40	90	25x5.40						
	24			28	8x3.30		38	10x3.30		45	14x3.80		45	14x3.80		85	22x5.40	95	25x5.40						
	25			30	10x3.30		40	12x3.30		48	14x3.80		48	14x3.80		90	25x5.40	100	28x6.40						
	28			40	12x3.30		42	12x2.20		50	16x4.30		50	16x4.30		95	25x5.40	105	28x6.40						
	30			42	12x2.20		45	14x3.80		55	16x4.30		55	16x4.30		100	28x6.40	110	32x7.40						
	32	10x3.30		45	14x3.80		50	16x4.30		60	18x4.40		60	18x4.40		105	28x6.40	115							
	1310	11	4x1.80	1612	14	5x2.30	2525	20	6x2.80	3030	25	8x3.30	4040	35	10x3.30	5050	55	16x4.30							
	12	4x1.80		16	5x2.30		22	8x3.30		28	10x3.30		38	12x3.30		50	16x4.30	60	18x4.40						
	14	5x2.30		18	6x2.80		24	8x3.30		30	10x3.30		40	12x3.30		55	16x4.30	65	18x4.40						
	16			19	6x2.80		25	8x3.30		32	10x3.30		42	12x3.30		60	18x4.40	70	20x4.90						
	18			20	6x2.80		28	8x3.30		35	10x3.30		45	12x3.30		65	18x4.40	75	20x4.90						
	19	6x2.80		22			30			38			45			70	20x4.90	80	22x5.40						
	20			24	8x3.30		32	10x3.30		40	12x3.30		45	12x3.30		75	20x4.90	85	22x5.40						
	22			25	8x3.30		35	10x3.30		42	12x3.30		45	12x3.30		80	22x5.40	90	25x5.40						
	24			28	8x3.30		38	10x3.30		45	14x3.80		45	14x3.80		85	22x5.40	95	25x5.40						
	25			30	10x3.30		40	12x3.30		48	14x3.80		48	14x3.80		90	25x5.40	100	28x6.40						
	28			40	12x3.30		42	12x2.20		50	16x4.30		50	16x4.30		95	25x5.40	105	28x6.40						
	30			42	12x2.20		45	14x3.80		55	16x4.30		55	16x4.30		100	28x6.40	110	32x7.40						
	32	10x3.30		45	14x3.80		50	16x4.30		60	18x4.40		60	18x4.40		105	28x6.40	115							
	35	10x3.30		50	14x3.80		55	16x4.30		60	18x4.40		60	18x4.40		110	32x7.40	125							

# CAPT-DHT™

## Double Helical Teeth (DHT) Timing Pulley

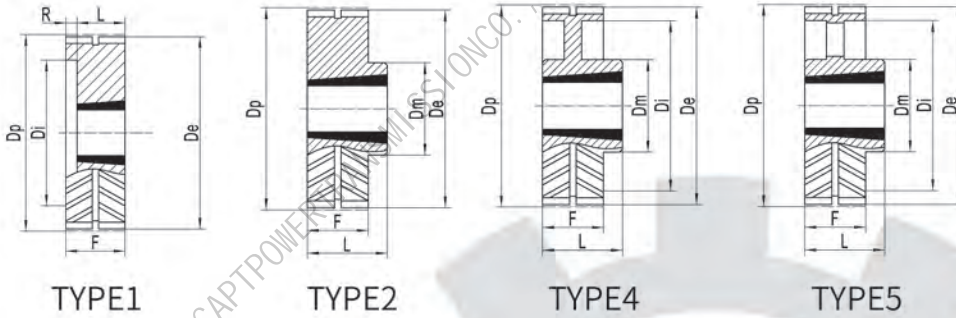


**T<sub>aper</sub>**  
**B<sub>ore</sub>** 8M16

PART NO.	NO.OF TEETH	TYPE	BUSH	DP	DE	DI	DM	F	L	MATERIAL
TB22-8M16	22	2	1008	56.02	54.65	-	45	17	22	G45 GG25 EN-GJS-450 X5CrNi189
TB24-8M16	24	2	1108	61.12	59.75	-	50	17	22	
TB25-8M16	25	2	1108	63.66	62.29	-	50	17	22	
TB26-8M16	26	2	1108	66.21	64.84	-	50	17	22	
TB28-8M16	28	2	1108	71.30	69.93	-	50	17	22	
TB30-8M16	30	2	1108	76.40	75.03	-	50	17	22	
TB32-8M16	32	2	1610	81.49	80.12	-	71	17	25	
TB34-8M16	34	2	1610	86.58	85.21	-	71	17	25	
TB36-8M16	36	2	1610	91.68	90.30	-	71	17	25	
TB38-8M16	38	2	1610	96.77	95.40	-	71	17	25	
TB40-8M16	40	2	1610	101.86	100.49	-	71	17	25	
TB44-8M16	44	2	2012	112.05	110.68	-	92	17	32	
TB45-8M16	45	2	2012	114.59	113.22	-	92	17	32	
TB48-8M16	48	2	2012	122.23	120.86	-	96	17	32	
TB50-8M16	50	2	2012	127.33	125.96	-	96	17	32	
TB52-8M16	52	2	2012	132.42	131.05	-	96	17	32	
TB56-8M16	56	2	2012	142.61	141.24	-	110	17	32	
TB60-8M16	60	2	2012	152.79	151.42	-	110	17	32	
TB63-8M16	63	4	2012	160.43	159.06	139	110	17	32	
TB64-8M16	64	4	2012	162.98	161.61	142	110	17	32	
TB68-8M16	68	4	2012	173.17	171.79	152	110	17	32	
TB72-8M16	72	4	2012	183.35	181.98	162	110	17	32	
TB75-8M16	75	4	2012	190.99	189.62	170	110	17	32	
TB76-8M16	76	4	2012	193.54	192.17	172	110	17	32	
TB80-8M16	80	4	2012	203.72	202.35	182	110	17	32	
TB90-8M16	90	5	2012	229.19	227.82	208	110	17	32	
TB112-8M16	112	5	2517	285.21	283.84	264	125	17	45	
TB140-8M16	140	5	2517	356.52	355.15	335	125	17	45	
TB180-8M16	180	5	3020	458.38	457.01	433	170	17	51	
TB224-8M16	224	5	3020	570.43	569.06	545	170	17	51	

# CAPT-DHT™

## Double Helical Teeth (DHT) Timing Pulley

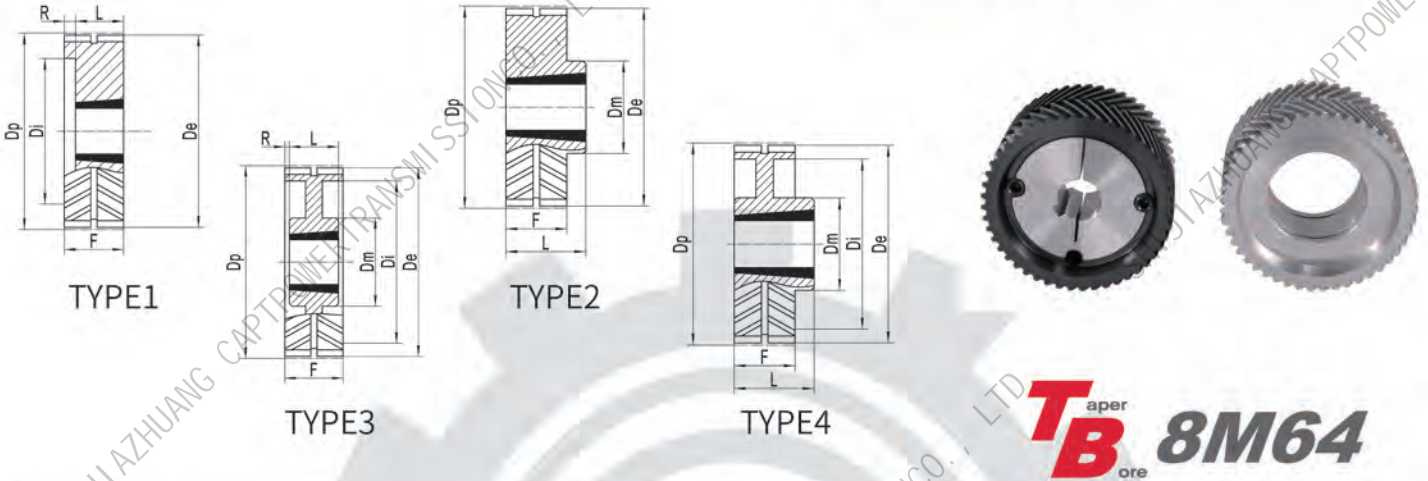


**T<sub>B</sub><sup>aper</sup> 8M32<sub>ore</sub>**

PART NO.	NO.OF TEETH	TYPE	BUSH	DP	DE	DI	DM	F	R	L	MATERIAL
TB22-8M32	22	1	1008	56.02	54.65	37	-	33	11	22	C45 GG25 EN-GJS-450 X5CrNi189
TB24-8M32	24	1	1108	61.12	59.75	44	-	33	11	22	
TB25-8M32	25	1	1108	63.66	62.29	44	-	33	11	22	
TB26-8M32	26	1	1108	66.21	64.84	44	-	33	11	22	
TB28-8M32	28	1	1210	71.30	69.93	50	-	33	8	25	
TB30-8M32	30	1	1610	76.40	75.03	63	-	33	8	25	
TB32-8M32	32	2	1615	81.49	80.12	-	71	33	-	38	
TB34-8M32	34	2	1615	86.58	85.21	-	71	33	-	38	
TB36-8M32	36	2	1615	91.68	90.30	-	71	33	-	38	
TB38-8M32	38	2	1615	96.77	95.40	-	71	33	-	38	
TB40-8M32	40	2	1615	101.86	100.49	-	71	33	-	38	
TB44-8M32	44	1	2012	112.05	110.68	86	-	33	0	33	
TB45-8M32	45	1	2012	114.59	113.22	88	-	33	0	33	
TB48-8M32	48	1	2012	122.23	120.86	90	-	33	0	33	
TB50-8M32	50	1	2012	127.33	125.96	95	-	33	0	33	
TB52-8M32	52	1	2012	132.42	131.05	100	-	33	0	33	
TB56-8M32	56	1	2012	142.61	141.24	110	-	33	0	33	
TB60-8M32	60	2	2517	152.79	151.42	-	125	33	-	45	
TB63-8M32	63	2	2517	160.43	159.06	-	125	33	-	45	
TB64-8M32	64	2	2517	162.98	161.61	-	125	33	-	45	
TB68-8M32	68	2	2517	173.17	171.79	-	125	33	-	45	
TB72-8M32	72	4	2517	183.35	181.98	162	125	33	-	45	
TB75-8M32	75	4	2517	190.99	189.62	170	125	33	-	45	
TB76-8M32	76	4	2517	193.54	192.17	172	125	33	-	45	
TB80-8M32	80	4	2517	203.72	202.35	182	125	33	-	45	
TB90-8M32	90	4	2517	229.19	227.82	208	125	33	-	45	
TB112-8M32	112	5	2517	285.21	283.84	264	125	33	-	45	
TB140-8M32	140	5	2517	356.52	355.15	335	125	33	-	45	
TB180-8M32	180	5	3020	458.38	457.00	433	170	33	-	51	
TB224-8M32	224	5	3020	570.43	569.04	545	170	33	-	51	

# CAPT-DHT™

## Double Helical Teeth (DHT) Timing Pulley

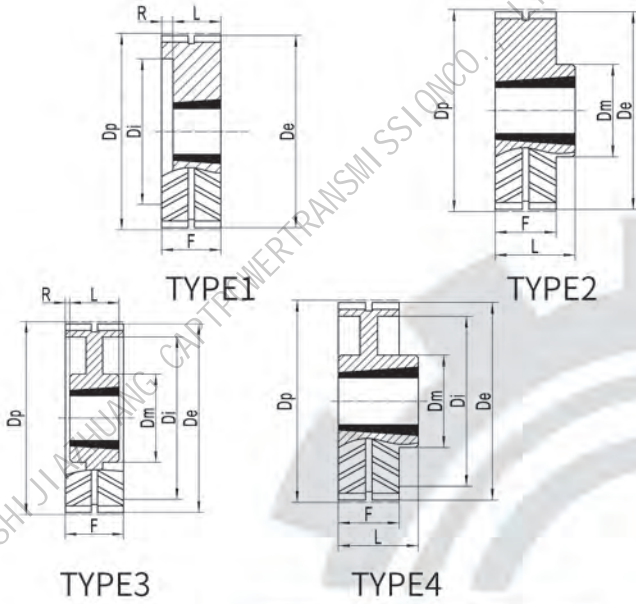


**T<sub>B</sub><sup>aper</sup><sub>ore</sub> 8M64**

PART NO.	NO.OF TEETH	TYPE	BUSH	DP	DE	DI	DM	F	R	L	MATERIAL
TB28-8M64	28	1	1210	71.30	69.92	50	-	65	40	25	C45 GG25 EN-GJS-450 X5CrNi189
TB30-8M64	30	1	1615	76.39	75.01	58	-	65	27	38	
TB32-8M64	32	1	1615	81.49	80.11	63	-	65	27	38	
TB34-8M64	34	1	1615	86.58	85.20	65	-	65	27	38	
TB36-8M64	36	1	1615	91.67	90.29	68	-	65	27	38	
TB38-8M64	38	1	1615	96.77	95.39	72	-	65	27	38	
TB40-8M64	40	2	2012	101.86	100.48	80	-	65	16.5	32	
TB44-8M64	44	2	2012	112.05	110.67	86	-	65	16.5	32	
TB45-8M64	45	2	2012	114.59	113.21	86	-	65	16.5	32	
TB48-8M64	48	2	2012	122.23	120.85	86	-	65	16.5	32	
TB50-8M64	50	2	2012	127.32	125.94	86	-	65	16.5	32	
TB52-8M64	52	2	2012	132.42	131.04	86	-	65	16.5	32	
TB56-8M64	56	2	2517	142.60	141.22	116	-	65	10	45	
TB60-8M64	60	2	2517	152.79	151.41	126	-	65	10	45	
TB63-8M64	63	2	2517	160.43	159.05	130	-	65	10	45	
TB64-8M64	64	2	2517	162.98	161.60	136	-	65	10	45	
TB68-8M64	68	3	2517	173.17	171.79	152	110	65	10	45	
TB72-8M64	72	3	2517	183.35	181.97	162	125	65	10	45	
TB75-8M64	75	3	3020	190.99	189.61	170	130	65	7	51	
TB76-8M64	76	3	3020	193.53	192.15	172	130	65	7	51	
TB80-8M64	80	3	3020	203.72	202.34	182	140	65	7	51	
TB90-8M64	90	3	3020	229.18	227.80	208	160	65	7	51	
TB112-8M64	112	3	3020	285.21	283.83	264	160	65	7	51	
TB140-8M64	140	4	3020	356.51	355.14	335	160	65	7	51	
TB180-8M64	180	4	3525	458.37	457.00	433	160	65	-	65	EN-GJS-450
TB224-8M64	224	4	3525	570.41	569.04	545	160	65	-	65	GG25

# CAPT-DHT™

## Double Helical Teeth (DHT) Timing Pulley

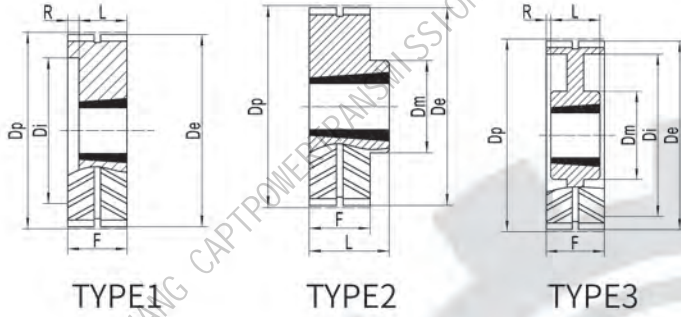


**T<sup>aper</sup><sub>B</sub> 14M35**  
ore

PART NO.	NO.OF TEETH	TYPE	BUSH	DP	DE	DI	DM	F	R	L	MATERIAL
TB28-14M35	28	1	2012	124.78	121.99	94	-	37	5	32	C45 GG25 EN-GJS-450 X5CrNi189
TB30-14M35	30	1	2012	133.69	130.90	100	-	37	5	32	
TB32-14M35	32	1	2012	142.61	139.81	108	-	37	5	32	
TB34-14M35	34	2	2517	151.52	148.73	-	120	37	-	45	
TB36-14M35	36	2	2517	160.43	157.64	-	120	37	-	45	
TB38-14M35	38	2	2517	169.35	166.55	-	120	37	-	45	
TB40-14M35	40	2	2517	178.26	175.46	-	125	37	-	45	
TB43-14M35	43	2	3020	191.63	188.83	-	140	37	-	51	
TB45-14M35	45	2	3020	200.54	197.75	-	140	37	-	51	
TB48-14M35	48	2	3020	213.91	211.12	-	140	37	-	51	
TB50-14M35	50	2	3020	222.82	220.03	-	170	37	-	51	
TB56-14M35	56	3	3020	249.56	246.77	208	170	37	-	51	
TB60-14M35	60	3	3020	267.39	264.59	225	170	37	-	51	
TB63-14M35	63	3	3020	280.76	277.96	238	170	37	-	51	
TB71-14M35	71	4	3020	316.41	313.62	274	170	37	-	51	
TB75-14M35	75	4	3020	334.24	331.44	292	170	37	-	51	
TB80-14M35	80	4	3020	356.52	353.72	315	170	37	-	51	
TB90-14M35	90	4	3020	401.08	398.29	360	170	37	-	51	
TB112-14M35	112	4	3020	499.12	496.33	457	170	37	-	51	
TB140-14M35	140	4	3020	623.91	621.11	581	170	37	-	51	
TB168-14M35	168	4	3020	748.69	745.89	706	170	37	-	51	EN-GJS-450 GG25

# CAPT-DHT™

## Double Helical Teeth (DHT) Timing Pulley

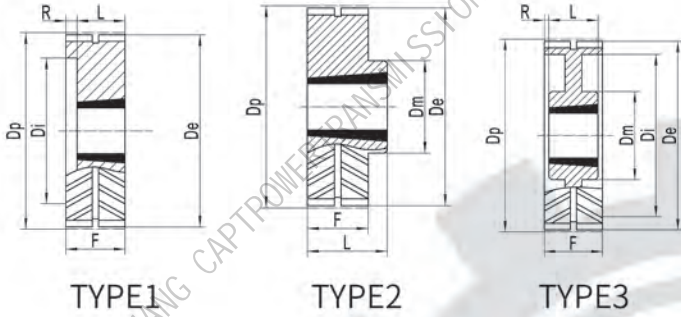


**T<sub>B</sub><sup>aper</sup>** 14M53  
**ore**

PART NO.	NO.OF TEETH	TYPE	BUSH	DP	DE	DI	DM	F	R	L	MATERIAL
TB28-14M53	28	1	2012	124.78	121.99	94	-	54.5	11.25	32	C45 GG25 EN-GJS-450 X5CrNi189
TB30-14M53	30	1	2012	133.69	130.90	100	-	54.5	11.25	32	
TB32-14M53	32	1	2012	142.61	139.81	108	-	54.5	11.25	32	
TB34-14M53	34	1	2517	151.52	148.73	110	-	54.5	4.75	45	
TB36-14M53	36	1	2517	160.43	157.64	116	-	54.5	4.75	45	
TB38-14M53	38	1	2517	169.35	166.55	125	-	54.5	4.75	45	
TB40-14M53	40	1	2517	178.26	175.46	135	-	54.5	4.75	45	
TB43-14M53	43	1	3020	191.63	188.83	150	-	54.5	1.75	51	
TB45-14M53	45	1	3020	200.54	197.75	155	-	54.5	1.75	51	
TB48-14M53	48	1	3020	213.91	211.12	170	-	54.5	1.75	51	
TB50-14M53	50	1	3020	222.82	220.03	180	-	54.5	1.75	51	EN-GJS-450 GG25
TB56-14M53	56	2	3020	249.56	246.77	208	170	54.5	1.75	51	
TB60-14M53	60	2	3020	267.39	264.59	225	170	54.5	1.75	51	
TB63-14M53	63	2	3020	280.76	277.96	238	170	54.5	1.75	51	
TB71-14M53	71	2	3020	316.41	313.62	274	170	54.5	1.75	51	
TB75-14M53	75	2	3020	334.24	331.44	292	170	54.5	1.75	51	
TB80-14M53	80	3	3020	356.52	353.72	315	170	54.5	1.75	51	
TB90-14M53	90	3	3020	401.08	398.29	360	170	54.5	1.75	51	
TB112-14M53	112	3	3020	499.12	496.33	457	170	54.5	1.75	51	
TB140-14M53	140	3	3020	623.91	621.11	581	170	54.5	1.75	51	
TB168-14M53	168	3	3020	748.69	745.89	706	170	54.5	1.75	51	

# CAPT-DHT™

## Double Helical Teeth (DHT) Timing Pulley

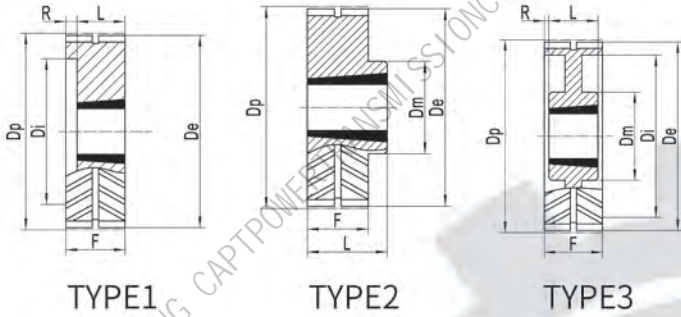


**T<sub>B</sub><sup>aper</sup><sub>ore</sub> 14M70**

PART NO.	NO.OF TEETH	TYPE	BUSH	DP	DE	DI	DM	F	R	L	MATERIAL
TB28-14M70	28	1	2012	124.78	121.99	94	-	72	20	32	C45 GG25 EN-GJS-450
TB30-14M70	30	1	2517	133.69	130.90	100	-	72	13.5	45	
TB32-14M70	32	1	2517	142.61	139.81	108	-	72	13.5	45	
TB34-14M70	34	1	2517	151.52	148.73	110	-	72	13.5	45	
TB36-14M70	36	1	2517	160.43	157.64	120	-	72	13.5	45	
TB38-14M70	38	1	2517	169.35	166.55	130	-	72	13.5	45	
TB40-14M70	40	1	2517	178.26	175.46	138	-	72	13.5	45	
TB43-14M70	43	1	3020	191.63	188.83	150	-	72	10.5	51	
TB45-14M70	45	1	3020	200.54	197.75	158	-	72	10.5	51	
TB48-14M70	48	1	3020	213.91	211.12	170	-	72	10.5	51	
TB50-14M70	50	1	3020	222.82	220.03	180	-	72	10.5	51	X5CrNi189
TB56-14M70	56	1	3020	249.56	246.77	208	-	72	10.5	51	
TB60-14M70	60	2	3020	267.39	264.59	225	170	72	10.5	51	
TB63-14M70	63	2	3020	280.76	277.96	238	170	72	10.5	51	
TB71-14M70	71	2	3020	316.41	313.62	274	170	72	10.5	51	
TB75-14M70	75	2	3020	334.24	331.44	292	170	72	10.5	51	EN-GJS-450 GG25
TB80-14M70	80	3	3020	356.52	353.72	314	170	72	10.5	51	
TB90-14M70	90	3	3020	401.08	398.29	358	170	72	10.5	51	
TB112-14M70	112	3	3020	499.12	496.33	455	170	72	10.5	51	
TB140-14M70	140	3	3020	623.91	621.11	580	170	72	10.5	51	
TB168-14M70	168	3	3020	748.69	745.89	706	170	72	10.5	51	

# CAPT-DHT™

## Double Helical Teeth (DHT) Timing Pulley

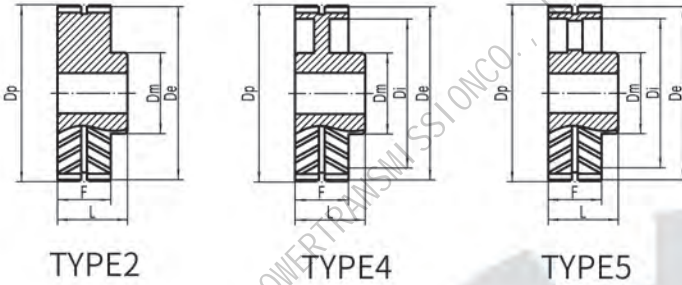


**T<sub>B</sub><sup>aper</sup> 14M105**  
ore

PART NO.	NO.OF TEETH	TYPE	BUSH	DP	DE	DI	DM	F	R	L	MATERIAL
TB28-14M105	28	1	2517	124.78	121.99	98	-	107	31	45	C45 GG25 EN-GJS-450 X5CrNi189
TB30-14M105	30	1	2517	133.69	130.90	100	-	107	31	45	
TB32-14M105	32	1	2517	142.61	139.81	108	-	107	31	45	
TB34-14M105	34	1	2517	151.52	148.73	110	-	107	31	45	
TB36-14M105	36	1	3020	160.43	157.64	125	-	107	28	51	
TB38-14M105	38	1	3020	169.35	166.55	130	-	107	28	51	
TB40-14M105	40	1	3020	178.26	175.46	138	-	107	28	51	
TB43-14M105	43	1	3030	191.63	188.83	150	-	107	15.5	76	
TB45-14M105	45	1	3030	200.54	197.75	158	-	107	15.5	76	
TB48-14M105	48	1	3030	213.91	211.12	170	-	107	15.5	76	
TB50-14M105	50	1	3030	222.82	220.03	180	-	107	15.5	76	
TB56-14M105	56	1	3525	249.56	246.77	210	-	107	21	65	
TB60-14M105	60	2	3525	267.39	264.59	225	190	107	21	65	
TB63-14M105	63	2	3525	280.76	277.96	235	190	107	21	65	
TB71-14M105	71	2	3525	316.41	313.62	274	190	107	21	65	
TB75-14M105	75	2	3525	334.24	331.44	290	190	107	21	65	
TB80-14M105	80	3	3525	356.52	353.72	315	190	107	21	65	
TB90-14M105	90	3	3525	401.08	398.29	360	190	107	21	65	
TB112-14M105	112	3	3525	499.12	496.33	457	190	107	21	65	
TB140-14M105	140	3	3525	623.91	621.11	580	190	107	21	65	EN-GJS-450 GG25
TB168-14M105	168	3	3525	748.69	745.89	706	190	107	21	65	

# CAPT-DHT™

## Double Helical Teeth (DHT) Timing Pulley

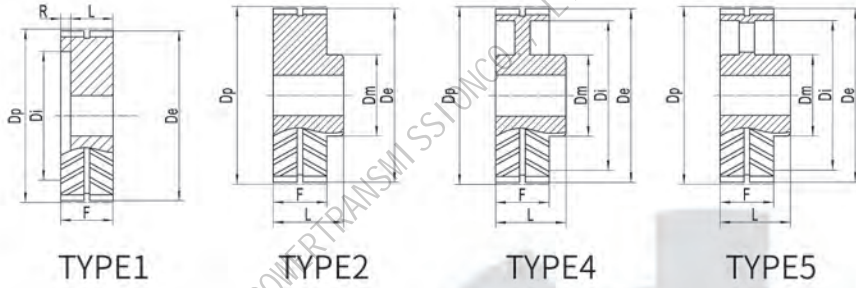


**F<sub>insished</sub>**  
**B<sub>ore</sub>** 8M16

PART NO.	NO.OF TEETH	TYPE	DP	DE	DI	DM	F	L	MIN D	MAX D	MATERIAL
18-8M16	18	2	45.84	44.47	-	38	17	22	10	25	C45 GG25 EN-GJS-450 X5CrNi189
20-8M16	20	2	50.93	49.56	-	41	17	22	10	25	
22-8M16	22	2	56.02	54.65	-	45	17	22	10	30	
24-8M16	24	2	61.12	59.75	-	50	17	22	10	35	
25-8M16	25	2	63.66	62.29	-	50	17	22	12	35	
26-8M16	26	2	66.21	64.84	-	50	17	22	12	35	
28-8M16	28	2	71.30	69.93	-	50	17	22	14	35	
30-8M16	30	2	76.40	75.03	-	50	17	22	14	35	
32-8M16	32	2	81.49	80.12	-	71	17	25	14	50	
34-8M16	34	2	86.58	85.21	-	71	17	25	14	50	
36-8M16	36	2	91.68	90.30	-	71	17	25	14	50	
38-8M16	38	2	96.77	95.40	-	71	17	25	14	50	
40-8M16	40	2	101.86	100.49	-	71	17	25	14	50	
44-8M16	44	2	112.05	110.68	-	92	17	32	14	65	
45-8M16	45	2	114.59	113.22	-	92	17	32	14	65	
48-8M16	48	2	122.23	120.86	-	96	17	32	20	65	
50-8M16	50	2	127.33	125.96	-	96	17	32	20	65	
52-8M16	52	2	132.42	131.05	-	96	17	32	20	65	
56-8M16	56	2	142.61	141.24	-	110	17	32	20	75	
60-8M16	60	2	152.79	151.42	-	110	17	32	20	75	
63-8M16	63	4	160.43	159.06	139	110	17	32	20	75	
64-8M16	64	4	162.98	161.61	142	110	17	32	20	75	
68-8M16	68	4	173.17	171.79	152	110	17	32	20	75	
72-8M16	72	4	183.35	181.98	162	110	17	32	20	75	
75-8M16	75	4	190.99	189.62	170	110	17	32	20	75	
76-8M16	76	4	193.54	192.17	172	110	17	32	20	75	
80-8M16	80	4	203.72	202.35	182	110	17	32	20	75	
90-8M16	90	5	229.19	227.82	208	110	17	32	20	75	
112-8M16	112	5	285.21	283.84	264	125	17	45	20	80	
140-8M16	140	5	356.52	355.15	335	125	17	45	20	80	
180-8M16	180	5	458.38	457.01	433	170	17	51	20	110	EN-GJS-450
224-8M16	224	5	570.43	569.06	545	170	17	51	20	110	GG25

# CAPT-DHT™

## Double Helical Teeth (DHT) Timing Pulley

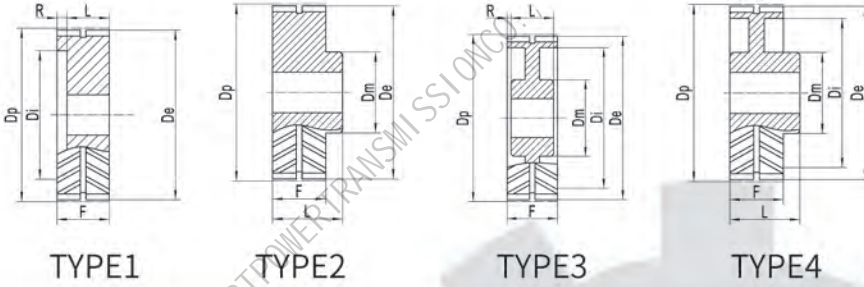


**FB** <sup>insisted</sup> **8M32**  
ore

PART NO	NO.OF TEETH	TYPE	DP	DE	DI	DM	F	R	L	MIN D	MAX D	MATERIAL
18-8M32	18	1	45.84	44.47	-	-	33	-	33	10	25	C45 GG25 EN-GJS-450 X5CrNi189
20-8M32	20	1	50.93	49.56	-	-	33	-	33	12	25	
22-8M32	22	1	56.02	54.65	-	-	33	-	33	12	30	
24-8M32	24	1	61.12	59.75	-	-	33	-	33	12	35	
25-8M32	25	1	63.66	62.29	-	-	33	-	33	14	35	
26-8M32	26	1	66.21	64.84	-	-	33	-	33	14	35	
28-8M32	28	1	71.30	69.93	50	-	33	8	25	14	35	
30-8M32	30	1	76.40	75.03	63	-	33	8	25	14	35	
32-8M32	32	2	81.49	80.12	-	71	33	-	38	14	50	
34-8M32	34	2	86.58	85.21	-	71	33	-	38	14	50	
36-8M32	36	2	91.68	90.30	-	71	33	-	38	14	50	
38-8M32	38	2	96.77	95.40	-	71	33	-	38	14	50	
40-8M32	40	2	101.86	100.49	-	71	33	-	38	14	50	
44-8M32	44	1	112.05	110.68	86	-	33	-	33	20	65	
45-8M32	45	1	114.59	113.22	88	-	33	-	33	20	65	
48-8M32	48	1	122.23	120.86	90	-	33	-	33	20	65	
50-8M32	50	1	127.33	125.96	95	-	33	-	33	20	65	
52-8M32	52	1	132.42	131.05	100	-	33	-	33	20	65	
56-8M32	56	1	142.61	141.24	110	-	33	-	33	20	75	
60-8M32	60	2	152.79	151.42	-	125	33	-	45	20	75	
63-8M32	63	2	160.43	159.06	-	125	33	-	45	20	75	
64-8M32	64	2	162.98	161.61	-	125	33	-	45	20	75	
68-8M32	68	2	173.17	171.79	-	125	33	-	45	20	75	
72-8M32	72	4	183.35	181.98	162	125	33	-	45	20	75	
75-8M32	75	4	190.99	189.62	170	125	33	-	45	20	75	
76-8M32	76	4	193.54	192.17	172	125	33	-	45	20	75	
80-8M32	80	4	203.72	202.35	182	125	33	-	45	20	75	
90-8M32	90	4	229.19	227.82	208	125	33	-	45	20	75	
112-8M32	112	5	285.21	283.84	264	125	33	-	45	20	80	
140-8M32	140	5	356.52	355.15	335	125	33	-	45	20	80	
180-8M32	180	5	458.38	457.00	433	170	33	-	51	20	110	EN-GJS-450
224-8M32	224	5	570.43	569.04	545	170	33	-	51	20	110	GG25

# CAPT-DHT™

## Double Helical Teeth (DHT) Timing Pulley

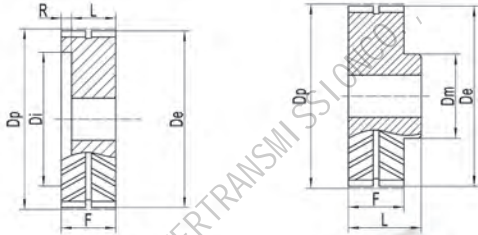


**F<sub>B</sub>** <sup>insished</sup> **8M64**  
<sub>ore</sub>

PART NO.	NO.OF TEETH	TYPE	DP	DE	DI	DM	F	R	L	MIN D	MAX D	MATERIAL
18-8M64	18	1	45.84	44.47	-	-	65	-	65	10	25	C45 GG25 EN-GJS-450 X5CrNi189
20-8M64	20	1	50.93	49.55	-	-	65	-	65	10	25	
22-8M64	22	1	56.02	54.64	-	-	65	-	65	12	30	
24-8M64	24	1	61.12	59.74	-	-	65	-	65	12	35	
25-8M64	25	1	63.66	62.28	-	-	65	-	65	14	35	
26-8M64	26	1	66.21	64.83	-	-	65	-	65	14	35	
28-8M64	28	1	71.30	69.92	50	-	65	40	25	14	35	
30-8M64	30	1	76.39	75.01	58	-	65	27	38	14	35	
32-8M64	32	1	81.49	80.11	63	-	65	27	38	14	48	
34-8M64	34	1	86.58	85.20	65	-	65	27	38	14	50	
36-8M64	36	1	91.67	90.29	68	-	65	27	38	14	50	
38-8M64	38	1	96.77	95.39	72	-	65	27	38	14	50	
40-8M64	40	2	101.86	100.48	80	-	65	16.5	32	14	50	
44-8M64	44	2	112.05	110.67	86	-	65	16.5	32	14	65	
45-8M64	45	2	114.59	113.21	86	-	65	16.5	32	14	65	
48-8M64	48	2	122.23	120.85	86	-	65	16.5	32	14	65	
50-8M64	50	2	127.32	125.94	86	-	65	16.5	32	14	65	
52-8M64	52	2	132.42	131.04	86	-	65	16.5	32	14	65	
56-8M64	56	2	142.60	141.22	116	-	65	10	45	18	75	
60-8M64	60	2	152.79	151.41	126	-	65	10	45	18	80	
63-8M64	63	2	160.43	159.05	130	-	65	10	45	18	85	
64-8M64	64	2	162.98	161.60	136	-	65	10	45	18	90	
68-8M64	68	3	173.17	171.79	152	110	65	10	45	18	75	
72-8M64	72	3	183.35	181.97	162	125	65	10	45	18	80	
75-8M64	75	3	190.99	189.61	170	130	65	7	51	18	85	
76-8M64	76	3	193.53	192.15	172	130	65	7	51	18	85	
80-8M64	80	3	203.72	202.34	182	140	65	7	51	18	90	
90-8M64	90	3	229.18	227.80	208	160	65	7	51	18	105	
112-8M64	112	3	285.21	283.83	264	160	65	7	51	18	105	
140-8M64	140	4	356.51	355.14	335	160	65	7	51	18	105	
180-8M64	180	4	458.37	457.00	433	160	65	-	65	20	105	EN-GJS-450 GG25
224-8M64	224	4	570.41	569.04	545	160	65	-	65	20	105	

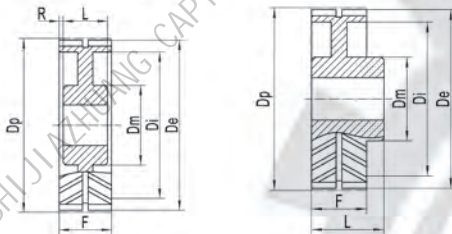
# CAPT-DHT™

## Double Helical Teeth (DHT) Timing Pulley



TYPE1

TYPE2



TYPE3

TYPE4

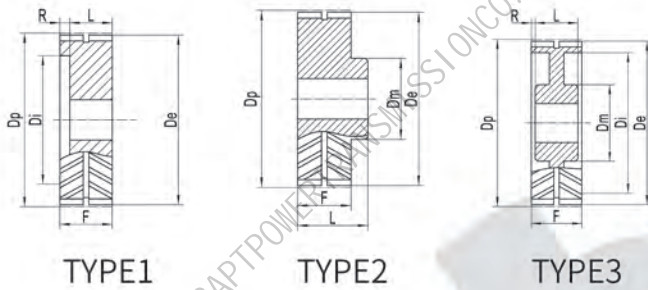


**FB**<sup>inished</sup><sub>ore</sub> 14M35

PART NO.	NO.OF TEETH	TYPE	DP	DE	DI	DM	F	R	L	MIN D	MAX D	MATERIAL
28-14M35	28	1	124.78	121.99	94	-	37	5	32	24	70	C45 GG25 EN-GJS-450 X5CrNi189
30-14M35	30	1	133.69	130.90	100	-	37	5	32	24	75	
32-14M35	32	1	142.61	139.81	108	-	37	5	32	24	80	
34-14M35	34	2	151.52	148.73	-	120	37	-	45	24	80	
36-14M35	36	2	160.43	157.64	-	120	37	-	45	24	80	
38-14M35	38	2	169.35	166.55	-	120	37	-	45	24	80	
40-14M35	40	2	178.26	175.46	-	125	37	-	45	24	80	
43-14M35	43	2	191.63	188.83	-	140	37	-	51	24	90	
45-14M35	45	2	200.54	197.75	-	140	37	-	51	24	90	
48-14M35	48	2	213.91	211.12	-	140	37	-	51	24	90	
50-14M35	50	2	222.82	220.03	-	170	37	-	51	24	110	
56-14M35	56	3	249.56	246.77	208	170	37	-	51	28	110	
60-14M35	60	3	267.39	264.59	225	170	37	-	51	28	110	
63-14M35	63	3	280.76	277.96	238	170	37	-	51	28	110	
71-14M35	71	4	316.41	313.62	274	170	37	-	51	28	110	
75-14M35	75	4	334.24	331.44	292	170	37	-	51	28	110	
80-14M35	80	4	356.52	353.72	315	170	37	-	51	28	110	
90-14M35	90	4	401.08	398.29	360	170	37	-	51	28	110	
112-14M35	112	4	499.12	496.33	457	170	37	-	51	28	110	
140-14M35	140	4	623.91	621.11	581	170	37	-	51	28	110	EN-GJS-450 GG25
168-14M35	168	4	748.69	745.89	706	170	37	-	51	28	110	

# CAPT-DHT™

## Double Helical Teeth (DHT) Timing Pulley

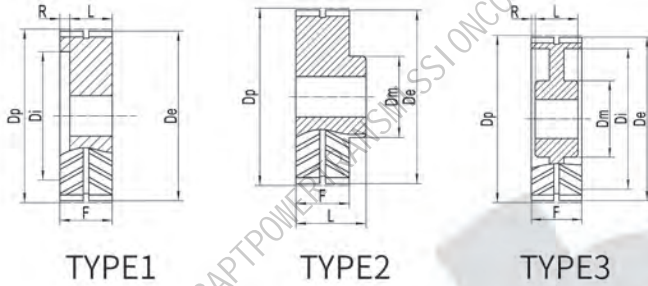


**FB** <sup>insished</sup> **14M53**  
<sub>ore</sub>

PART NO.	NO.OF TEETH	TYPE	DP	DE	DI	DM	F	R	L	MIN D	MAX D	MATERIAL
28-14M53	28	1	124.78	121.99	94	-	54.5	11.25	32	24	70	C45 GG25 EN-GJS-450 X5CrNi189
30-14M53	30	1	133.69	130.90	100	-	54.5	11.25	32	24	75	
32-14M53	32	1	142.61	139.81	108	-	54.5	11.25	32	24	80	
34-14M53	34	1	151.52	148.73	110	-	54.5	4.75	45	24	80	
36-14M53	36	1	160.43	157.64	116	-	54.5	4.75	45	24	80	
38-14M53	38	1	169.35	166.55	125	-	54.5	4.75	45	24	80	
40-14M53	40	1	178.26	175.46	135	-	54.5	4.75	45	24	90	
43-14M53	43	1	191.63	188.83	150	-	54.5	1.75	51	24	100	
45-14M53	45	1	200.54	197.75	155	-	54.5	1.75	51	24	100	
48-14M53	48	1	213.91	211.12	170	-	54.5	1.75	51	24	110	
50-14M53	50	1	222.82	220.03	180	-	54.5	1.75	51	24	120	EN-GJS-450 GG25
56-14M53	56	2	249.56	246.77	208	170	54.5	1.75	51	28	110	
60-14M53	60	2	267.39	264.59	225	170	54.5	1.75	51	28	110	
63-14M53	63	2	280.76	277.96	238	170	54.5	1.75	51	28	110	
71-14M53	71	2	316.41	313.62	274	170	54.5	1.75	51	28	110	
75-14M53	75	2	334.24	331.44	292	170	54.5	1.75	51	28	110	
80-14M53	80	3	356.52	353.72	315	170	54.5	1.75	51	28	110	
90-14M53	90	3	401.08	398.29	360	170	54.5	1.75	51	28	110	
112-14M53	112	3	499.12	496.33	457	170	54.5	1.75	51	28	110	
140-14M53	140	3	623.91	621.11	581	170	54.5	1.75	51	28	110	
168-14M53	168	3	748.69	745.89	706	170	54.5	1.75	51	28	110	

# CAPT-DHT™

## Double Helical Teeth (DHT) Timing Pulley

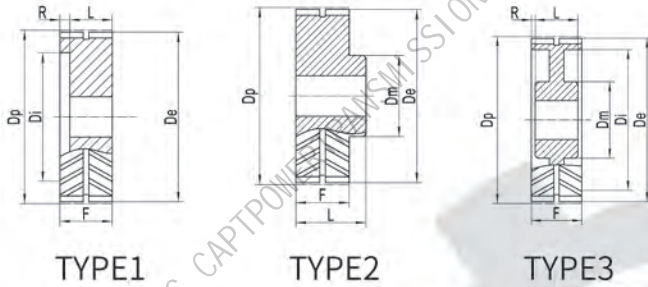


**F<sup>inished</sup>**  
**B<sub>ore</sub>** 14M70

PART NO.	NO.OF TEETH	TYPE	DP	DE	DL	DM	F	R	L	MIN D	MAX D	MATERIAL
28-14M70	28	1	124.78	121.99	94	-	72	20	32	24	70	C45 GG25 EN-GJS-450 X5CrNi189
30-14M70	30	1	133.69	130.90	100	-	72	13.5	45	24	75	
32-14M70	32	1	142.61	139.81	108	-	72	13.5	45	24	80	
34-14M70	34	1	151.52	148.73	110	-	72	13.5	45	24	80	
36-14M70	36	1	160.43	157.64	120	-	72	13.5	45	24	80	
38-14M70	38	1	169.35	166.55	130	-	72	13.5	45	24	85	
40-14M70	40	1	178.26	175.46	138	-	72	13.5	45	24	90	
43-14M70	43	1	191.63	188.83	150	-	72	10.5	51	24	100	
45-14M70	45	1	200.54	197.75	158	-	72	10.5	51	24	105	
48-14M70	48	1	213.91	211.12	170	-	72	10.5	51	24	110	
50-14M70	50	1	222.82	220.03	180	-	72	10.5	51	28	120	
56-14M70	56	1	249.56	246.77	208	-	72	10.5	51	28	135	
60-14M70	60	2	267.39	264.59	225	170	72	10.5	51	28	110	
63-14M70	63	2	280.76	277.96	238	170	72	10.5	51	28	110	
71-14M70	71	2	316.41	313.62	274	170	72	10.5	51	28	110	
75-14M70	75	2	334.24	331.44	292	170	72	10.5	51	28	110	
80-14M70	80	3	356.52	353.72	314	170	72	10.5	51	28	110	
90-14M70	90	3	401.08	398.29	358	170	72	10.5	51	28	110	
112-14M70	112	3	499.12	496.33	455	170	72	10.5	51	28	110	
140-14M70	140	3	623.91	621.11	580	170	72	10.5	51	28	110	
168-14M70	168	3	748.69	745.89	706	170	72	10.5	51	28	110	

# CAPT-DHT™

## Double Helical Teeth (DHT) Timing Pulley



**F<sub>B</sub>**<sup>inished</sup><sub>ore</sub> **14M105**

PART NO.	NO.OF TEETH	TYPE	DP	DE	DI	DM	F	R	L	MIN D	MAX D	MATERIAL
28-14M105	28	1	124.78	121.99	98	-	107	31	45	24	70	C45 GG25 EN-GJS-450 X5CrNi189
30-14M105	30	1	133.69	130.90	100	-	107	31	45	24	75	
32-14M105	32	1	142.61	139.81	108	-	107	31	45	24	80	
34-14M105	34	1	151.52	148.73	110	-	107	31	45	24	80	
36-14M105	36	1	160.43	157.64	125	-	107	28	51	32	80	
38-14M105	38	1	169.35	166.55	130	-	107	28	51	32	85	
40-14M105	40	1	178.26	175.46	138	-	107	28	51	32	90	
43-14M105	43	1	191.63	188.83	150	-	107	15.5	76	32	100	
45-14M105	45	1	200.54	197.75	158	-	107	15.5	76	32	105	
48-14M105	48	1	213.91	211.12	170	-	107	15.5	76	32	110	
50-14M105	50	1	222.82	220.03	180	-	107	15.5	76	32	120	
56-14M105	56	1	249.56	246.77	210	-	107	21	65	32	140	
60-14M105	60	2	267.39	264.59	225	190	107	21	65	32	125	
63-14M105	63	2	280.76	277.96	235	190	107	21	65	32	125	
71-14M105	71	2	316.41	313.62	274	190	107	21	65	32	125	
75-14M105	75	2	334.24	331.44	290	190	107	21	65	32	125	
80-14M105	80	3	356.52	353.72	315	190	107	21	65	32	125	
90-14M105	90	3	401.08	398.29	360	190	107	21	65	32	125	
112-14M105	112	3	499.12	496.33	457	190	107	21	65	32	125	
140-14M105	140	3	623.91	621.11	580	190	107	21	65	32	125	EN-GJS-450 GG25
168-14M105	168	3	748.69	745.89	706	190	107	21	65	32	125	

# APPLICATION AREAS



FEED MACHINERY



FOOD MACHINERY



TEXTILE MACHINERY



MINING MACHINERY



AGRICULTURAL MACHINERY



PACKAGING MACHINERY



FIRE FIGHTING EQUIPMENT



LOGISTICS MACHINERY



MEDICAL EQUIPMENT



PETROLEUM MACHINERY



PRINTING MACHINERY



WOOD PROCESSING